

Replace Multi Y Series (8/10hp)

R407c Heat Pump Outdoor Unit

Enables the replacement of existing VRF systems whilst utilising existing R22 pipework

Following in the path of our split systems, Mitsubishi Electric now bring you its unique Replace Technology in the VRF field. Replace Multi is specifically designed to enable the reuse of existing R22 pipework, whilst also allowing the upgrade to some of the most efficient systems available in the market. Replace Multi will clean the existing pipework during commissioning, removing any deposits that would have ordinarily meant that new pipework would have been called for. The implications of this are significant savings on cost and time, whilst also minimising any potential disruption.

- > Efficient use of existing resources (refrigerant piping, control and power wiring) and less waste materials
- > Reduced Installation costs of up to 60%
- > Reduced Installation time & minimised disruption
- > Increased energy efficiency, 30 to 40% more efficient than an old R22 system



[Technical Information >>](#)

Y SERIES OUTDOOR UNIT - 8-10hp

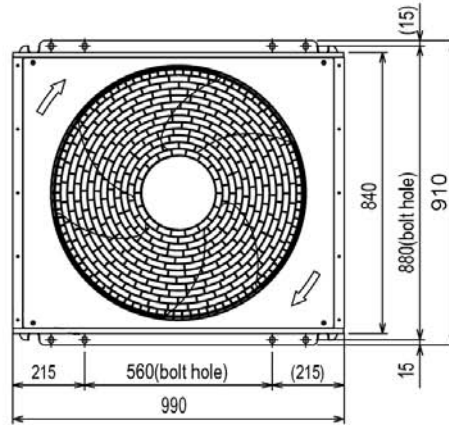
MODEL REFERENCE		PUHY-P200YREM-A	PUHY-P250YREM-A
CAPACITY (kW)	Heating (nominal)	25.0	31.5
	Cooling (nominal)	22.4	28.0
	Heating (UK)	23.1	29.1
	Cooling (UK)	21.3	26.6
POWER INPUT (kW)	Heating (nominal)	6.80	8.95
	Cooling (nominal)	6.32	8.54
	Heating (UK)	6.97	9.17
	Cooling (UK)	3.92	5.29
MAX No. OF CONNECTABLE INDOOR UNITS		13	16
AIRFLOW (m3/min)	High	200	200
NOISE (dBA)		56	57
WEIGHT (kg)		239	239
DIMENSIONS (mm)	Width	990	990
	Depth	840 (910)	840 (910)
	Height	1755	1755
ELECTRICAL SUPPLY		380-415v, 50Hz	380-415v, 50Hz
PHASE		3	3
STARTING CURRENT (A)		8	8
RUNNING CURRENT (A)	Heating	10.5	13.8
	Cooling	9.7	13.2
FUZE RATING (BS88) – HRC (A)		20	25
MAINS CABLE No. Cores		4 + earth	4 + earth

PUHY-P200/250YREM-A Piping Restrictions	
TOTAL PIPING LENGTH	240m max
FURTHEST PIPING LENGTH	120m max
FURTHEST PIPING LENGTH AFTER 1st BRANCH	40m max
BETWEEN INDOOR AND OUTDOOR UNITS - HEIGHT	50m max (40m max if outdoor installed below)
BETWEEN INDOOR AND INDOOR UNITS - HEIGHT	15m max

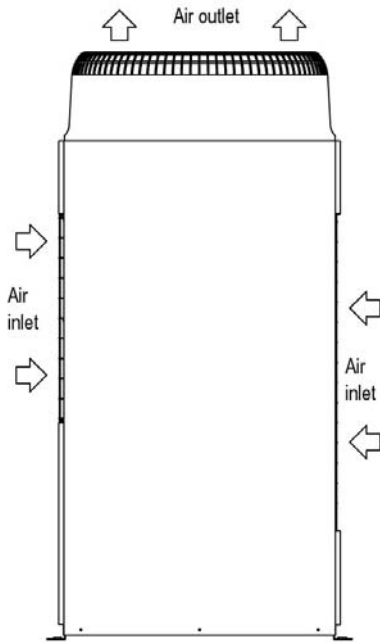
* For information on applicable pipe sizes when reusing existing pipework, please refer to the relevant technical documentation for this series

PUHY-P200, 250YREM-A

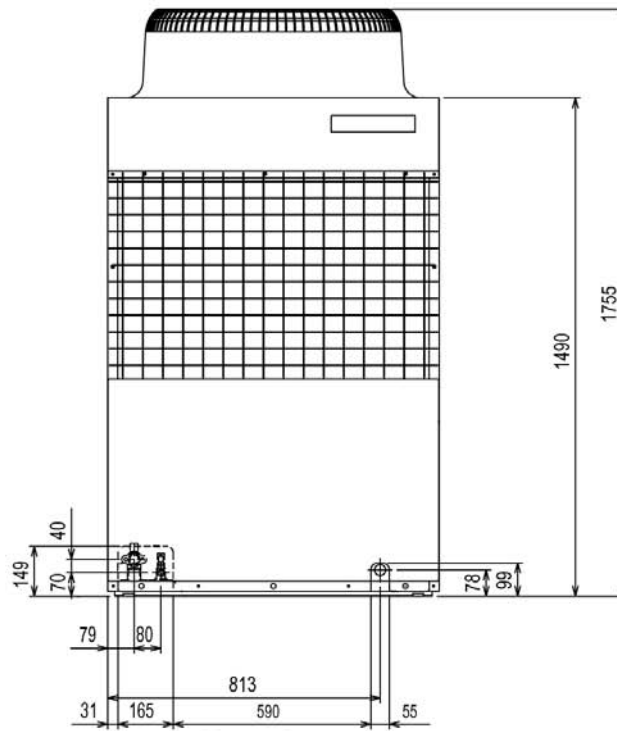
Upper View >



Right Side View >



Front View >



This pdf has been downloaded from the website of :

“Supplying and installing the latest in air conditioning technology”

° Celsius
air conditioning

Celsius Air Conditioning Ltd, I Well Street, Heywood, Greater Manchester OL10 INT

 01706 367 500  07000 CELSIUS  01706 367 355  sales@celsiusair.co.uk  www.celsiusair.co.uk

www.celsiusair.co.uk