

# MSC-GA-VB / MSH-GA-VB Heat Pump

## R410A Classic Wall Mounted System

New Series

Mitsubishi Electric's new range of high specification, flat panel wall mounted models make use of traditional fixed speed technology, whilst providing extremely good value for money, costing approximately 30% less than the inverter equivalent. These units have extremely quiet sound levels, whilst also delivering economical air conditioning, with improved COP/EER figures and in many cases corresponding 'A' rated energy labels. Ideal for use in any size room, many units come equipped with a wide-angle airflow system, as well as an automatic swing vane, allowing airflow to be extended to every corner of a room.



\* Wide swing & long airflow mode available for MSH-GA50-60VB  
\* Air cleaning filter is optional



Technical Information >>

### MSC-GA-VB / MSH-GA-VB - INDOOR UNITS

MODEL REFERENCE		MSC-GA25VB	MSC-GA35VB	MSH-GA50VB	MSH-GA60VB
CAPACITY (kW)	Heating (nominal)	3.0	3.7	5.2	7.2
	Cooling (nominal)	2.65	3.5	5.0	6.3
	Heating (UK)	2.5	3.05	4.3	6.0
	Cooling (UK)	2.65	3.45	4.95	6.25
SHF (nominal)		0.70	0.66	0.65	0.64
COP / EER (nominal)		3.66 / 3.23	3.63 / 3.21	3.23 / 2.81	2.90 / 2.61
ENERGY LABEL Heating/Cooling		A / A	A / A	C / C	D / D
AIRFLOW (m3/min)		Heating/Cooling - Lo-Mi-Hi 5.7-7.6-9.8 / 5.1-6.4-7.9		8.8-10.7-12.8 / 8.8-10.7-12.8	
PIPE SIZE mm(in)		Gas 9.52(3/8")		12.7(1/2")	
		Liquid 6.35(1/4")		6.35(1/4")	
NOISE (dBA) Heating/Cooling - Lo-Mi-Hi		25-32-39 / 25-31-36		34-38-42 / 34-38-42	
DIMENSIONS (mm)		Width 815		1100	
		Depth 244		258	
		Height 278		325	
WEIGHT (kg)		9		16	
ELECTRICAL SUPPLY		220-240v, 50Hz		220-240v, 50Hz	
PHASE		Single		Single	
RUNNING CURRENT (A)		0.17		0.30	
FUSE RATING (BS88) - HRC (A)		6		6	
INTERCONNECTING CABLE No. CORES		2 Core 12v		2 Core 12v	

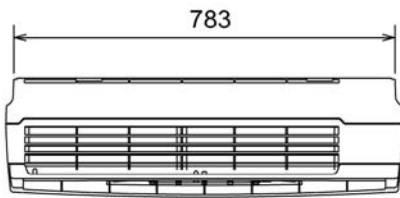
### MUH-GA-VB - OUTDOOR UNITS

MODEL REFERENCE		MUH-GA25VB	MUH-GA35VB	MUH-GA50VB	MUH-GA60VB
NOISE (dBA)		49		52	
WEIGHT (kg)		32		47	
DIMENSIONS (mm)		Width 800		850	
		Depth 285		290	
		Height 550		605	
ELECTRICAL SUPPLY		220-240v, 50Hz		220-240v, 50Hz	
PHASE		Single		Single	
SYSTEM POWER INPUT (kW) Heating/Cooling (nominal)		0.82 / 0.82		1.61 / 1.78	
Heating/Cooling (UK)		0.746 / 0.656		1.465 / 1.424	
STARTING CURRENT (A)		22		37	
RUNNING CURRENT (A) Heating/Cooling		3.43 / 3.43		7.23 / 7.93	
FUSE RATING (BS88) - HRC (A)		16		16	
MAINS CABLE No. CORES		3		3	
MAX PIPE LENGTH (m)		20		25	
MAX HEIGHT DIFFERENCE (m)		10		10	
CHARGE R410A (kg) - 7m		0.80		1.80	
				2.35	

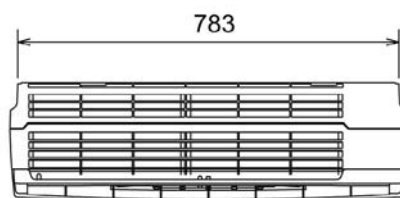
Notes: The indoor units require a 240v 50hz single phase supply and the outdoor units require the same, separate supply. Between the indoor and outdoor unit is a 2 Core, low voltage interconnecting cable. The MSC-GA-VB indoor unit is a common unit for heating and cooling.

**INDOOR UNIT MSC-GA25/35VB**

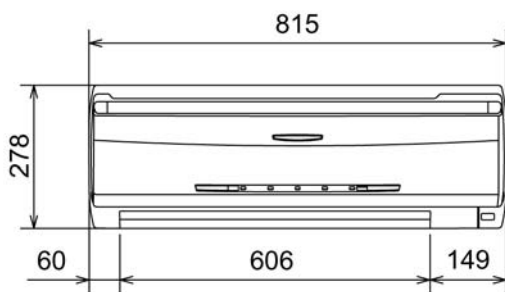
Upper View > 25



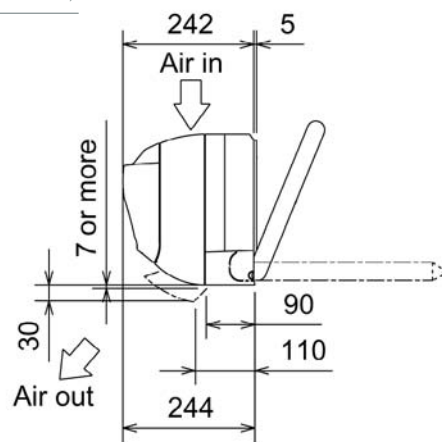
Upper View > Size 35



Front View >

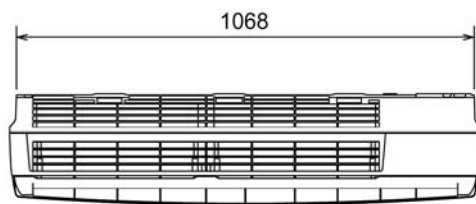


Side View >

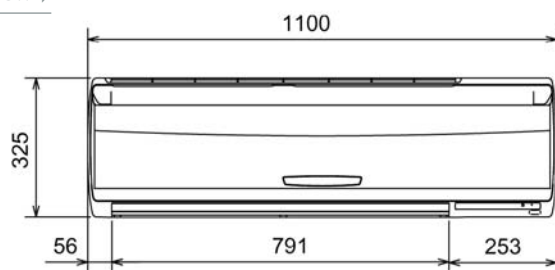


**INDOOR UNIT MSH-GA50/60VB**

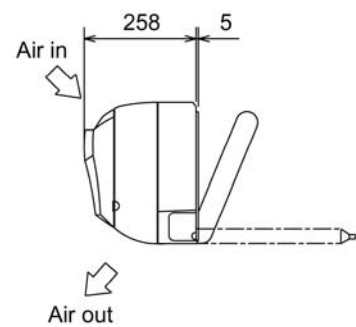
Upper View >



Front View >



Side View >



This pdf has been downloaded from the website of :

“Supplying and installing the latest in air conditioning technology”

**° Celsius**  
**air conditioning**

Celsius Air Conditioning Ltd, I Well Street, Heywood, Greater Manchester OL10 INT

 01706 367 500  07000 CELSIUS  01706 367 355  sales@celsiusair.co.uk  www.celsiusair.co.uk

**www.celsiusair.co.uk**