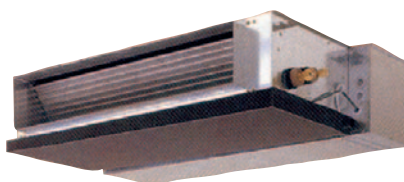


SEZ-KA-VA Inverter Heat Pump

R410A Ceiling Concealed Ducted System

New Series

Designed for homes, offices, restaurants or shops, the SEZ-KA-VA series operates at low noise levels, and is virtually invisible when installed within a suspended ceiling. Its low unit height and lightweight design also help to make installation easier and more convenient.



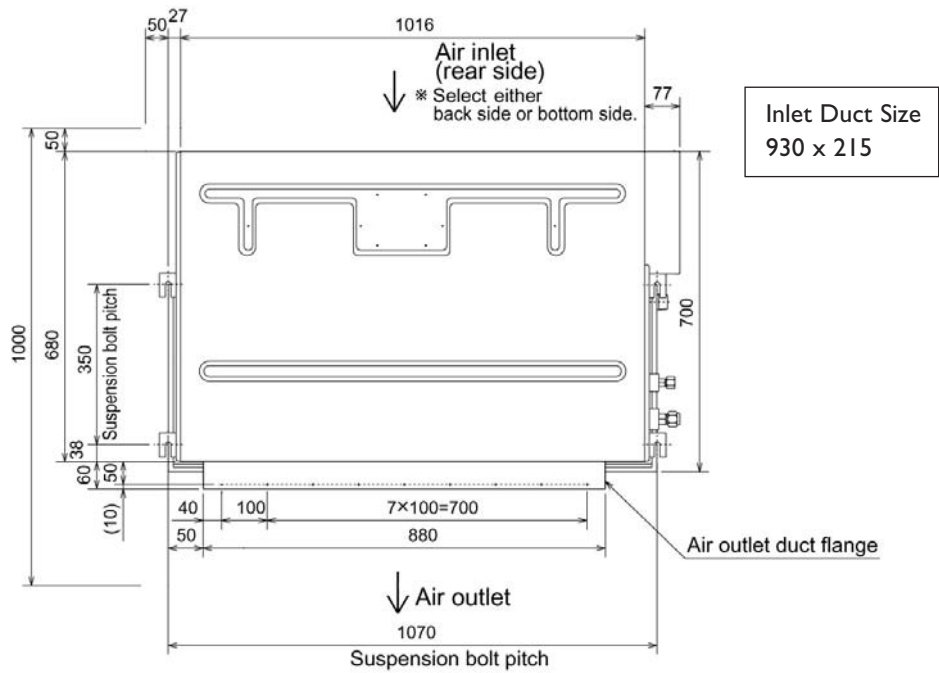
Technical Information >>

SEZ-KA-VA - INDOOR UNITS		SEZ-KA35VA	SEZ-KA50VA	SEZ-KA60VA
MODEL REFERENCE				
CAPACITY (kW)	Heating (nominal)	4.0 (0.9-5.0)	5.9 (1.1-7.2)	6.9 (0.9-8.0)
	Cooling (nominal)	3.5 (1.0-3.9)	5.0 (1.1-5.6)	5.5 (1.1-6.3)
	Heating (UK)	3.3 (0.75-4.15)	4.9 (0.9-6.0)	5.75 (0.75-6.65)
	Cooling (UK)	3.45 (1.0-3.85)	4.95 (1.1-5.55)	5.45 (1.1-6.25)
SHF (nominal)		0.77	0.75	0.75
COP / EER (nominal)		3.64 / 3.3	3.21 / 2.81	2.82 / 2.81
ENERGY LABEL	Heating/Cooling	A / A	C / C	D / C
AIRFLOW (m ³ /min)	Lo-Hi	10-13	12-17	12-20
EXTERNAL STATIC PRESSURE Pa(mmAq) - Lo-Hi		30(3) / 50(5)	30(3) / 50(5)	30(3) / 50(5)
PIPE SIZE mm(in)	Gas	9.52 (3/8")	12.7 (1/2")	15.88 (5/8")
	Liquid	6.35 (1/4")	6.35 (1/4")	6.35 (1/4")
NOISE (dBA)	Lo-Hi	30-35	31-39	32-43
DIMENSIONS (mm)	Width	1100	1100	1100
	Depth	700	700	700
	Height	270	270	270
WEIGHT (kg)		33.5	33.5	33.5
ELECTRICAL SUPPLY		Fed by Outdoor Unit	Fed by Outdoor Unit	Fed by Outdoor Unit
PHASE		Single	Single	Single
FUZE RATING (BS88) – HRC (A)		6	6	6
INTERCONNECTING CABLE No. CORES		4	4	4

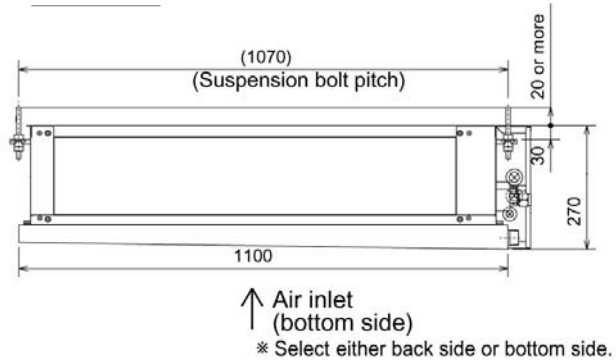
SUZ-KA-VA - OUTDOOR UNITS		SUZ-KA35VA	SUZ-KA50VA	SUZ-KA60VA
NOISE (dBA)	Heating/Cooling	48 / 47	52 / 52	52 / 52
WEIGHT (kg)		37	53	53
DIMENSIONS (mm)	Width	800	840	840
	Depth	285	330	330
	Height	550	850	850
ELECTRICAL SUPPLY		220-240v, 50Hz	220-240v, 50Hz	220-240v, 50Hz
SYSTEM POWER INPUT (kW)	Heating/Cooling (nominal)	1.10 / 1.06	1.84 / 1.78	2.45 / 1.96
	Heating/Cooling (UK)	1.00 / 0.85	1.67 / 1.42	2.23 / 1.57
STARTING CURRENT (A)		5.2	8.5	10.4
SYSTEM RUNNING CURRENT (A) Heating/Cooling		5.2 / 4.9	8.5 / 8.0	10.4 / 9.0
FUZE RATING (BS88) – HRC (A)		16	20	25
MAINS CABLE No. CORES		3	3	3
MAX PIPE LENGTH (m)		20	30	30
MAX HEIGHT DIFFERENCE (m)		12	15	15
CHARGE R410A (kg) - 7m		1.05	1.6	1.8

INDOOR UNIT SEZ-KA35-60VA

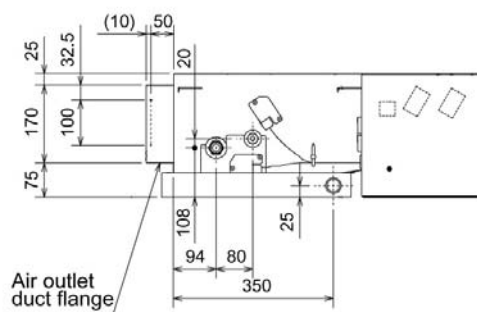
Upper View >



Front View >



Side View >



This pdf has been downloaded from the website of :

“Supplying and installing the latest in air conditioning technology”

° Celsius
air conditioning

Celsius Air Conditioning Ltd, 1 Well Street, Heywood, Greater Manchester OL10 1NT

 01706 367 500  07000 CELSIUS  01706 367 355  sales@celsiusair.co.uk  www.celsiusair.co.uk

www.celsiusair.co.uk