

August 2007

No. OCB419  
REVISED EDITION-A

## PARTS CATALOG

**R410A**

[model name]

[Service Ref.]

PUHZ-W90VHA

**PUHZ-W90VHA**

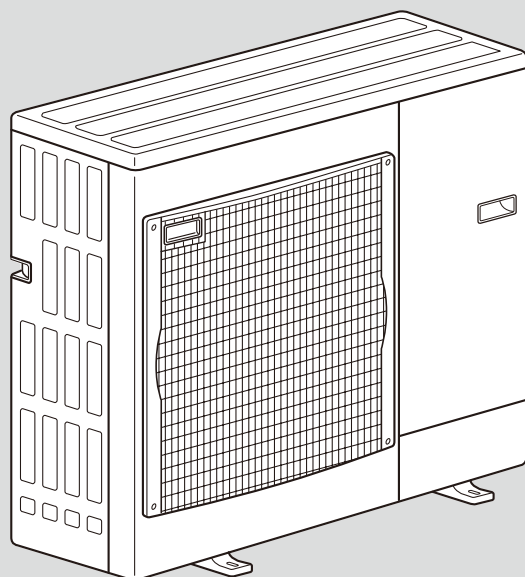
Revision:

- Compressor's parts No. has been changed in REVISED EDITION-A.

- Please void OCB419.

Note:

- RoHS compliant products have <G> mark on the spec name plate.



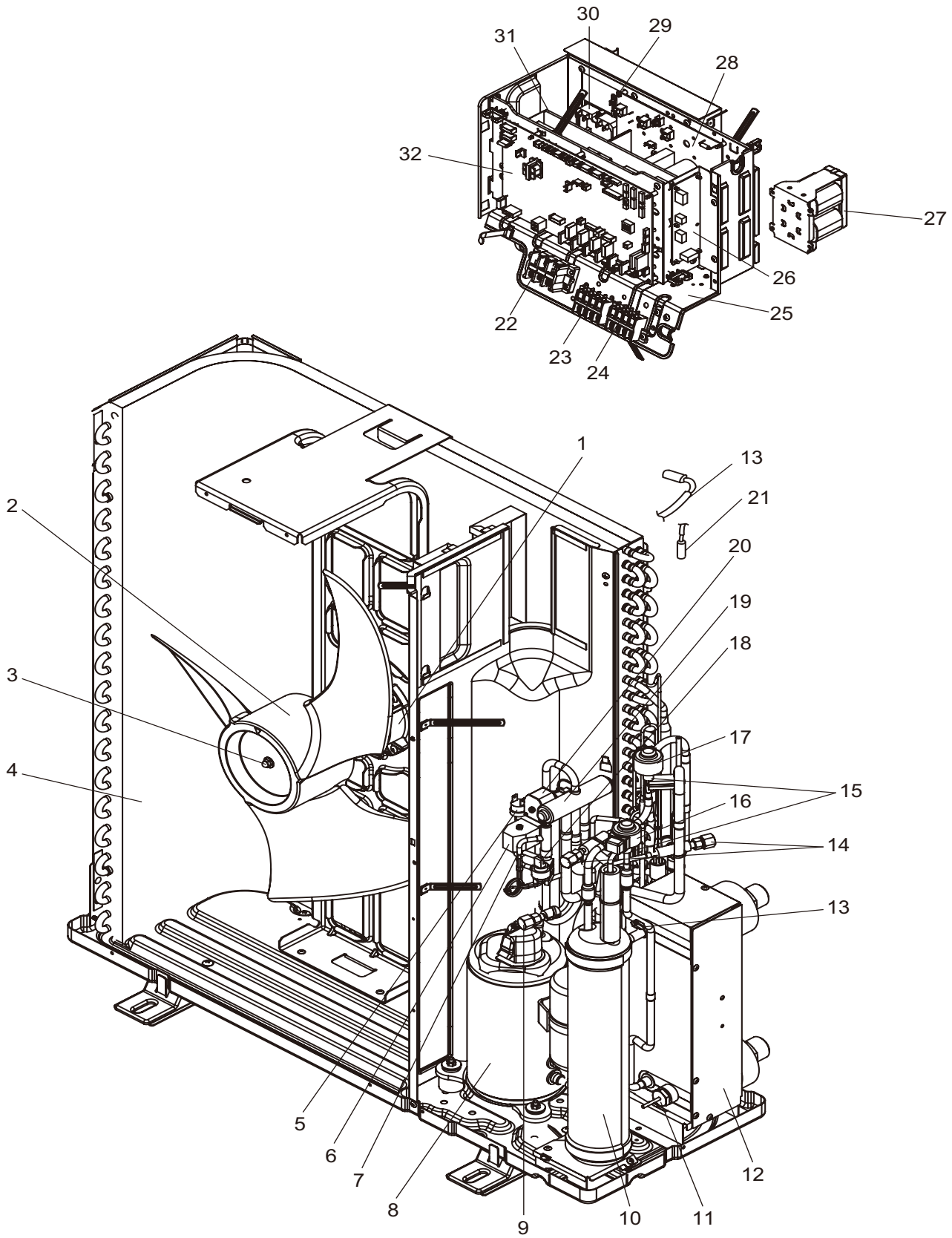
PUHZ-W90VHA

### CONTENTS

1. RoHS PARTS LIST..... 2
2. OPTIONAL PARTS..... 6

**SERVICE MANUAL (OCH419)**

FUNCTIONAL AND ELECTRICAL PARTS  
PUHZ-W90VHA

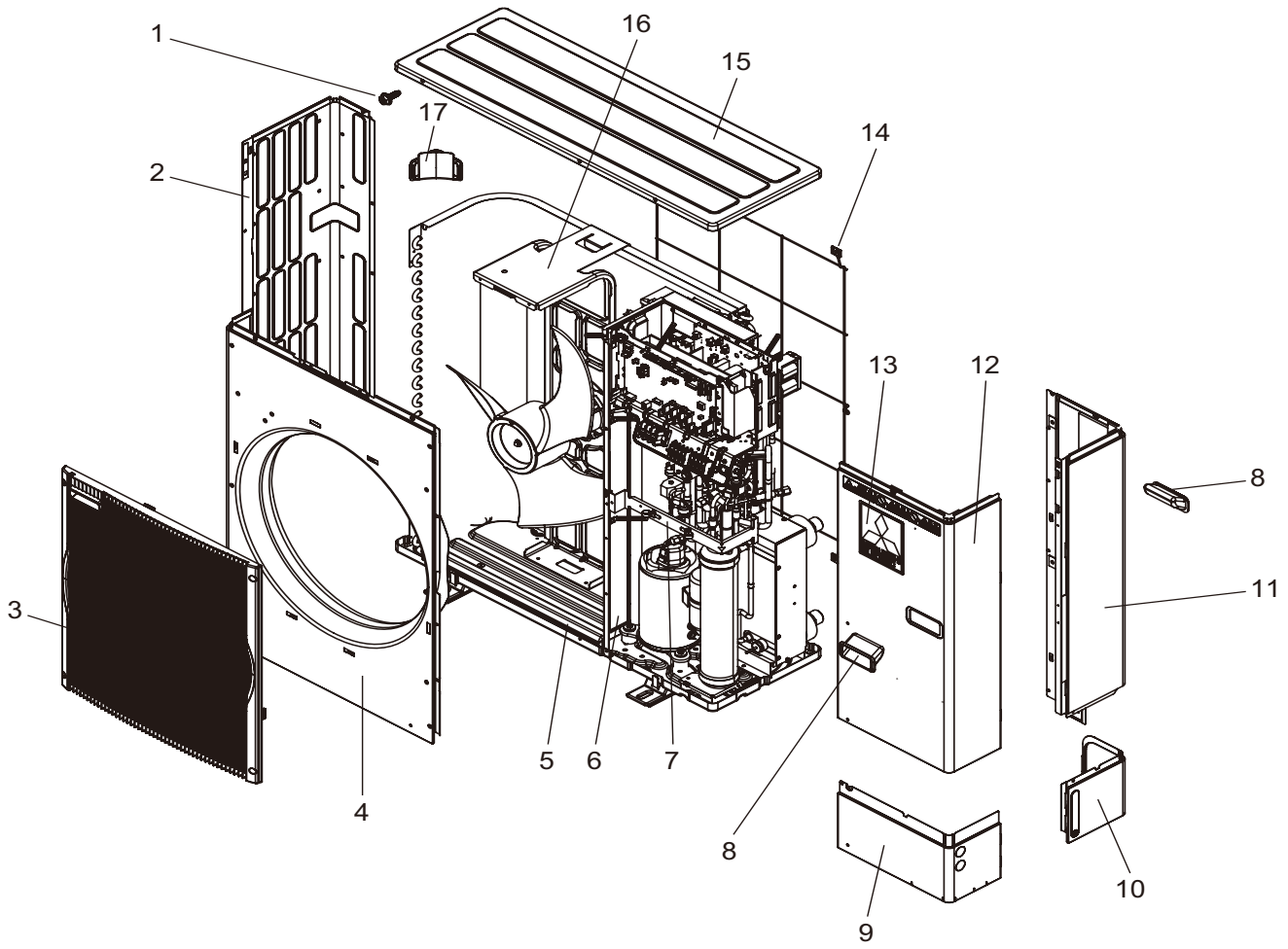


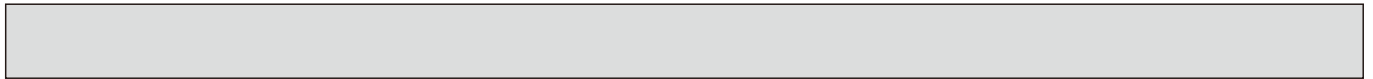


Part numbers that are circled are not shown in the figure.

No.	RoHS	Part No.	Part Name	Specification	Q'ty/unit	Remarks (Drawing No.)	Wiring Diagram Symbol	Recom- mended Q'ty
					PUHZ- W90VHA			
1	G	T7W E27 763	FAN MOTOR		1		MF1	
2	G	R01 E08 115	PROPELLER FAN		1			
3	G	R01 E09 097	NUT		1			
4	G	T7W E43 408	HEAT EXCHANGER		1			
5	G	R01 E06 208	HIGH PRESSURE SWITCH		1		63H	
6	G	T7W E37 242	BYPASS VALVE COIL		1		SV	
7	G	R01 E15 428	BYPASS VALVE		1			
8	G	T92 502 801	COMPRESSOR	TNB220FLHM1	1	With RUBBER MOUNTS	MC	
9	G	R01 E24 413	CHARGE PLUG		1			
10	G	T7W E15 440	RECEIVER		1			
11	G	T7W E19 202	THERMISTOR (INLET WATER)		1		TH32	
12	G	T7W E42 408	PLATE HEAT EXCHANGER		1			
13	G	R01 E94 202	THERMISTOR (PLATE HEX LIQUID, AMBIENT)		1		TH6/TH7	
14	G	R01 E25 413	CHARGE PLUG		2			
15	G	R01 E79 401	EXPANSION VALVE		2			
16	G	R01 E37 242	LINEAR EXPANSION VALVE COIL		1		LEV-B	
17	G	R01 E36 242	LINEAR EXPANSION VALVE COIL		1		LEV-A	
18	G	R01 E07 208	HIGH PRESSURE SENSOR		1		63HS	
19	G	R01 E13 403	4 WAY VALVE		1			
20	G	T7W E29 242	4 WAY VALVE COIL		1		21S4	
21	G	R01 N03 202	THERMISTOR (OUTDOOR PIPE)		1		TH3	
22	G	T7W A15 716	TERMINAL BLOCK	3P (L, N, ⊕)	1		TB1	
23	G	T7W E47 716	TERMINAL BLOCK	4P (A1,A2,A3,A4)	1		TB2	
24	G	T7W E48 716	TERMINAL BLOCK	4P (A5,B1,B2,B3)	1		TB3	
25	G	—	ELECTRICAL PARTS BOX		1	(BK00C681G07)		
26	G	T7W E65 310	INTERFACE CIRCUIT BOARD		1		I.F.	
27	G	T7W E15 259	REACTOR		1		DCL	
28	G	T7W E43 313	POWER CIRCUIT BOARD		1		P.B.	
29	G	R01 E99 202	THERMISTOR (HEATSINK)		1		TH8	
30	G	T7W E03 233	ACTIVE FILTER MODULE		1		ACTM	
31	G	T7W E22 346	NOISE FILTER CIRCUIT BOARD		1		N.F.	
32	G	T7W E52 315	CONTROLLER CIRCUIT BOARD		1		C.B.	
③③	G	R01 E09 201	THERMISTOR (DISCHARGE)		1		TH4	
③④	G	—	HEATSINK		1	(BK11B272H04)		
③⑤	G	R01 E06 239	FUSE	250V. 6.3A	2		F3,F4	

**STRUCTURAL PARTS**  
**PUHZ-W90VHA**





No.	RoHS	Part No.	Part Name	Specification	Q'ty/unit	Remarks (Drawing No.)	Wiring Diagram Symbol	Recom- mended Q'ty
					PUHZ- W90VHA			
1	G	—	F.ST SCREW (5×10)		31	(DG12F536H10)		
2	G	R01 E16 662	SIDE PANEL (L)		1			
3	G	T7W E03 691	FAN GRILLE		1			
4	G	T7W E05 667	FRONT PANEL		1			
5	G	T7W E13 686	BASE ASSY		1			
6	G	—	SEPARATOR		1	(BK00C143G82)		
7	G	—	STAY		1	(BK00G125G03)		
8	G	R01 E01 655	HANDLE		2			
9	G	T7W E02 658	COVER PANEL (FRONT)		1			
10	G	T7W E01 658	COVER PANEL (REAR)		1			
11	G	T7W E15 661	SIDE PANEL (R)		1			
12	G	T7W E07 668	SERVICE PANEL		1			
13	G	—	LABEL (MITSUBISHI)		1	(DG79R130H01)		
14	G	R01 E06 698	REAR GUARD		1			
15	G	R01 E14 641	TOP PANEL		1			
16	G	R01 E30 130	MOTOR SUPPORT		1			
17	G	R01 E02 655	HANDLE		1			

**2****OPTIONAL PARTS****2-1. AIR OUTLET GUIDE**

Part No.	PAC-SG59SG-E
----------	--------------

**2-2. AIR GUIDE**

Part No.	PAC-SG57AG-E
----------	--------------

**2-3. DRAIN SOCKET**

Part No.	PAC-SG61DS-E
----------	--------------

**2-4. DRAIN PAN**

Part No.	PAC-SG64DP-E
----------	--------------





HEAD OFFICE : TOKYO BLDG., 2-7-3, MARUNOUCHI, CHIYODA-KU, TOKYO 100-8310, JAPAN

---



This pdf has been downloaded from the website of :

“Supplying and installing the latest in air conditioning technology”

**° Celsius**  
**air conditioning**

Celsius Air Conditioning Ltd, 1 Well Street, Heywood, Greater Manchester OL10 1NT

 01706 367 500  07000 CELSIUS  01706 367 355  sales@celsiusair.co.uk  www.celsiusair.co.uk

**www.celsiusair.co.uk**