

Multi-Split Systems

Heat Pump and Cooling Only

R407c and R410A units

The multi-split system is an ideal option for open plan spaces in medium sized premises such as offices or shops, where two, three or four units are required. These can be ceiling cassettes, ceiling suspended, ducted or wall mounted models and can be connected to a single outdoor unit using twin, triple or quadruple multi distributor pipes.

- > Twin, triple or quadruple indoor heat pump units can be operated in multi split configuration from a single outdoor unit
- > Heat pumps must operate in same heating or cooling mode
- > Cooling capacity range 3.3 to 26kW
- > Heating capacity range 3.5 to 30.5kW

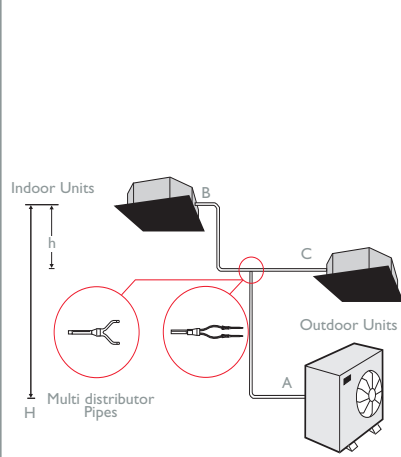


PIPE RUN PARAMETERS

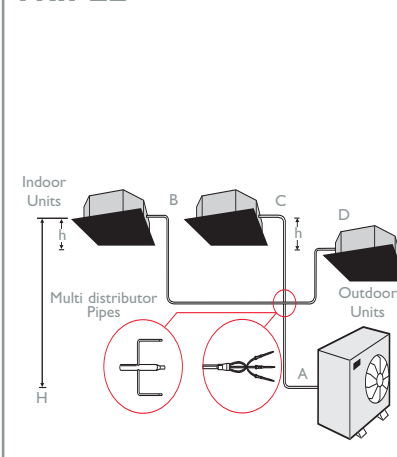
OUTDOOR MODEL	PIPE RUNS	MAX. PIPE RUN (M)
PU-P/PUH-P 3-6 YGAA	A+B+C twin	50
PU-P/PUH-P 3-6 YGAA	A+B+C+D triple	50
PU-P/PUH-P 3-6 YGAA	A+B or A+C or A+D	40
PU-P/PUH-P 3-6 YGAA	B – C or C – D or B – D	≤8
PUH-P 8-10 MYA	A+B+C twin	70
PUH-P 8-10 MYA	A+B,A+C twin	50
PUH-P 8-10 MYA	A – B	≤8
PUH-P 8-10 MYA	A+B+C+D triple	70
PUH-P 8-10 MYA	A+B,A+C,A+D triple	50
PUH-P 8-10 MYA	B – C or C – D or B – D triple	≤8
PUH-P 8-10 MYA	A+B+C+D+E quadruple	70
PUH-P 8-10 MYA	A+B,A+C,A+D,A+E quadruple	50
PUHZ-RP3VHA	A+B+C twin	50
PUHZ-RP4-6VHA	A+B+C twin	75
PUHZ-RP6VHA	A+B+C+D triple	75
PUHZ-RP3-6VHA	B – C or C – D or B – D	≤8

H = 40m. h = 1m. Note: H for the PUHZ-RP3-6VHA = 30m

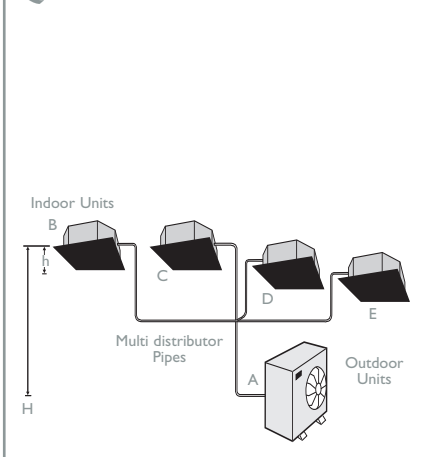
TWIN



TRIPLE

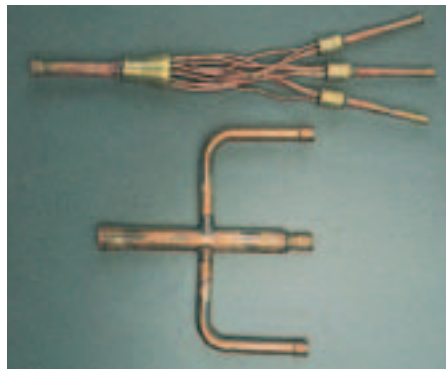
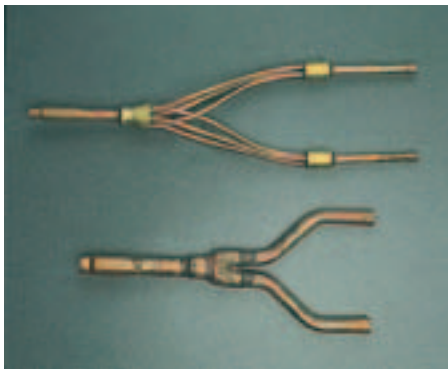


QUADRUPLE



Multi-Split Systems - Combinations Table

Indoor Unit	Outdoor Heat Pump	Outdoor Cooling Only	No. of Indoor Units	Total Heating Capacity (kW)	Total Cooling Capacity (kW)	Pipe Kit Part Number
Size 1.6	PUH-P3	PU-P3	2	9.2	7.7	SDD-50DA-E
Size 1.6	PUHZ-RP3	N/A	2	3.5-10.2	3.3-8.1	MSDD-50SR-E
Size 2	PUH-P4	PU-P4	2	10.8	9.6	SDD-50DA-E
Size 2	PUHZ-RP4	N/A	2	4.5-14.0	4.9-11.4	MSDD-50SR-E
Size 2.5	PUH-P5	PU-P5	2	15.6	13.3	SDD-50DA-E
Size 2.5	PUHZ-RP5	N/A	2	5.0-16.0	5.5-14.0	MSDD-50SR-E
Size 3	PUH-P6	PU-P6	2	17.0	14.2	SDD-50DA-E
Size 3	PUHZ-RP6	N/A	2	5.0-18.0	5.5-15.3	MSDD-50SR-E
Size 2	PUH-P6	PU-P6	3	17.0	14.2	SDT-1111SA-E
Size 2	PUHZ-RP6	N/A	3	5.0-18.0	5.5-15.3	MSDT-1111R-E
Size 4	PUH-P8	N/A	2	23.7	20.9	SDD-50WSA-E
Size 2.5	PUH-P8	N/A	3	23.7	20.9	SDT-1111SA-E
Size 2	PUH-P8	N/A	4	23.7	20.9	SDT-1111SA-E
Size 5	PUH-P10	N/A	2	30.5	26.0	SDD-50WSA-E
Size 3	PUH-P10	N/A	3	30.5	26.0	SDT-1111SA-E
Size 2.5	PUH-P10	N/A	4	30.5	26.0	SDT-1111SA-E



This pdf has been downloaded from the website of :

“Supplying and installing the latest in air conditioning technology”

° Celsius
air conditioning

Celsius Air Conditioning Ltd, 1 Well Street, Heywood, Greater Manchester OL10 1NT

 01706 367 500  07000 CELSIUS  01706 367 355  sales@celsiusair.co.uk  www.celsiusair.co.uk

www.celsiusair.co.uk