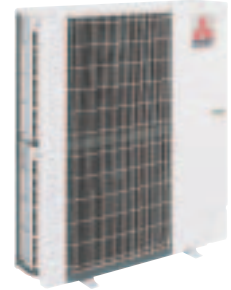
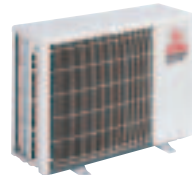
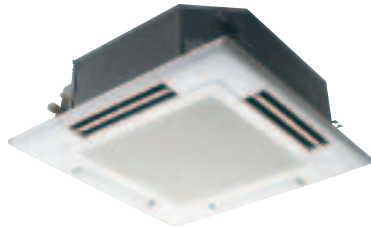


PLA-RP Heat Pump

R407c 4-Way Blow Ceiling Cassette System

New Models

- > Airflow controllable for ceiling heights up to 4.2m
- > Electronic fan speed control
- > Quiet start up cycle



Technical Information >>

PLA-RP - INDOOR UNITS		PLA-RP1.6AA	PLA-RP2AA	PLA-RP2.5AA	PLA-RP3AA	PLA-RP4AA	PLA-RP5AA	PLA-RP6AA
MODEL REFERENCE								
CAPACITY (kW)	Heating (nominal)	4.95	6.35	7.3	9.2	10.5	15.6	17.0
	Cooling (nominal)	4.5	5.6	6.7	7.7	9.6	13.3	14.2
	Heating (UK)	4.2	5.4	6.2	7.8	8.95	13.25	14.45
	Cooling (UK)	4.05	5.05	6.05	6.95	8.65	11.95	12.8
SHF (nominal)		0.75	0.82	0.72	0.74	0.78	0.72	0.69
AIRFLOW (m ³ /min)	Lo-Mi1-Mi2-Hi	11-12-13-14	14-15-16-18	14-15-16-18	15-16-18-20	20-23-26-28	22-25-28-30	22-25-28-30
PIPE SIZE mm(in)	Gas	15.88 (5/8")	15.88 (5/8")	15.88 (5/8")	15.88 (5/8")	19.05 (3/4")	19.05 (3/4")	19.05 (3/4")
	Liquid	9.52 (3/8")	9.52 (3/8")	9.52 (3/8")	9.52 (3/8")	9.52 (3/8")	9.52 (3/8")	9.52 (3/8")
NOISE (dBA)	Lo-Mi1-Mi2-Hi	27-28-29-31	28-29-31-33	28-29-31-33	28-30-32-34	33-36-39-41	37-40-43-45	37-40-43-45
DIMENSIONS (mm) (grille)	Width	840 (950)	840 (950)	840 (950)	840 (950)	840 (950)	840 (950)	840 (950)
	Depth	840 (950)	840 (950)	840 (950)	840 (950)	840 (950)	840 (950)	840 (950)
	Height	258 (30)	258 (30)	258 (30)	258 (30)	298 (30)	298 (30)	298 (30)
WEIGHT (kg)	Unit	24	24	24	24	30	32	32
	Panel	5	5	5	5	5	5	5
ELECTRICAL SUPPLY		Fed by Outdoor Unit	Fed by Outdoor Unit	Fed by Outdoor Unit	Fed by Outdoor Unit	Fed by Outdoor Unit	Fed by Outdoor Unit	Fed by Outdoor Unit
PHASE		Single	Single	Single	Single	Single	Single	Single
FUSE RATING (BS88) – HRC (A)		6	6	6	6	6	6	6
INTERCONNECTING CABLE No. CORES		4	4	4	4	4	4	4
GRILLE REFERENCE		PLP6AA	PLP6AA	PLP6AA	PLP6AA	PLP6AA	PLP6AA	PLP6AA
WIRED REMOTE CONTROLLER REFERENCE		PAR20MAA	PAR20MAA	PAR20MAA	PAR20MAA	PAR20MAA	PAR20MAA	PAR20MAA

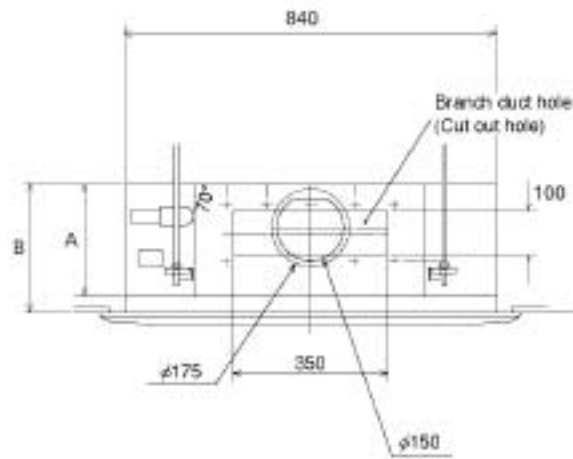
PUH-P - OUTDOOR UNITS		PUH-PI.6YGAA	PUH-P2YGAA	PUH-P2.5YGAA	PUH-P3YGAA/YGAA	PUH-P4YGAA/YGAA	PUH-P5YGAA	PUH-P6YGAA
NOISE (dBA)	Heating/Cooling	49 / 47	49 / 48	50 / 48	51 / 49	53 / 51	56 / 55	58 / 57
WEIGHT (kg)		55	71	82	82	96	122	122
DIMENSIONS (mm)	Width	900	900	900	900	900	1050	1050
	Depth	330 + 20	330 + 20	330 + 20	330 + 20	330 + 20	330 + 20	330 + 20
	Height	650	855	855	855	1260	1260	1260
ELECTRICAL SUPPLY		220-240v, 50Hz	220-240v, 50Hz	220-240v, 50Hz	220-240v,50Hz / 380-415,50Hz	220-240v,50Hz / 380-415,50Hz	380-415v, 50Hz	380-415v, 50Hz
PHASE		Single	Single	Single	Single / 3	Single / 3	3	3
SYSTEM POWER INPUT (kW)	Heating/Cooling (nominal)	1.70 / 1.72	2.20 / 2.53	2.40 / 2.57	3.48 / 3.42	3.91 / 3.68	5.54 / 5.09	6.35 / 5.90
	Heating/Cooling (UK)	1.51 / 1.46	1.96 / 2.15	2.14 / 2.18	3.10 / 2.91	3.48 / 3.13	4.93 / 4.33	5.65 / 5.02
STARTING CURRENT (A)		36	62	77	93 / 47	99 / 49	65.5	74
SYSTEM RUNNING CURRENT (A) Heating/Cooling		8.38 / 8.15	11.36 / 11.05	12.3 / 12.69	16.55/15.6 / 6.42/6.08	17.83/16.96 / 7.11/6.8	9.79 / 9.24	11.2 / 10.67
FUSE RATING (BS88) – HRC (A)		16	16	25	32 / 16	32 / 20	20	25
MAINS CABLE No. Cores		3	3	3	3 / 5	3 / 5	5	5
MAX PIPE LENGTH (m)		40	40	50	50	50	50	50
MAX HEIGHT DIFFERENCE (m)		40	40	50	50	50	50	50
CHARGE R407c (kg)		2.5	2.6	3.1	3.3	4.0	4.6	4.9

Notes: Optional infra-red grille and remote controller available. All units are charged to 20m (1.6-2.5) and 30m (3-6) pipe length.

INDOOR UNIT PLA-RPI.6-6AA

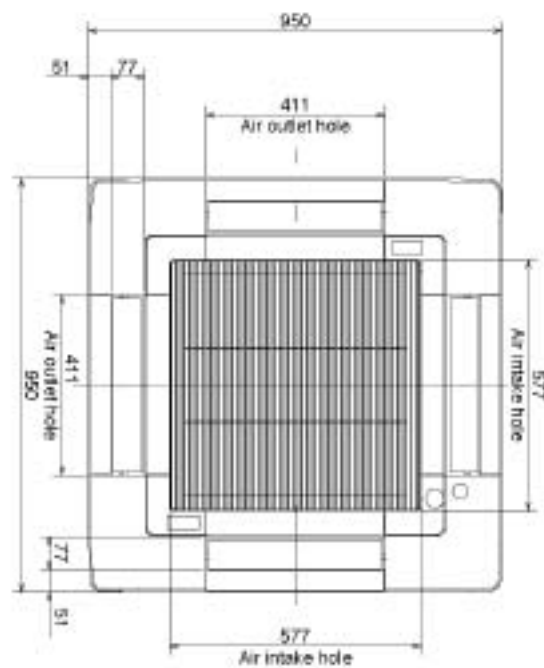
Ceiling Hole 860 ~ 910 x 860 ~ 910

Side View >



Models	A	B
Size 1.6-3	241	258
Size 4-6	281	298

Lower View >



This pdf has been downloaded from the website of :

“Supplying and installing the latest in air conditioning technology”

° Celsius
air conditioning

Celsius Air Conditioning Ltd, I Well Street, Heywood, Greater Manchester OL10 INT

 01706 367 500  07000 CELSIUS  01706 367 355  sales@celsiusair.co.uk  www.celsiusair.co.uk

www.celsiusair.co.uk