

# PMH-P Heat Pump

## R407c I-Way Blow Ceiling Cassette System

Utilising a compact and lightweight body, the unit is perfect for applications where ceiling space is limited. A total body weight of 14kg makes it one of the lightest available, whilst quiet running technology also makes it one of the quietest.

- > Compact size for handy installation and easy maintenance
- > Newly developed airflow control technology reduces noise levels
- > Only 230mm high



Technical Information >>

### PMH-P - INDOOR UNITS

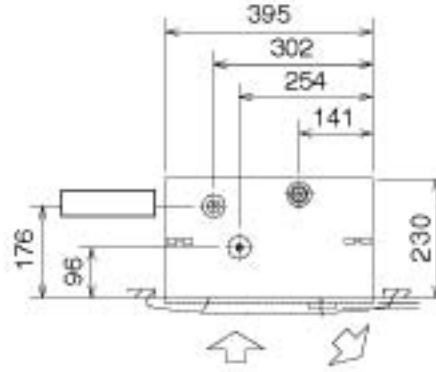
MODEL REFERENCE		PMH-PI.6BA	PMH-P2BA
CAPACITY (kW)	Heating (nominal)	5.0	6.25
	Cooling (nominal)	4.4	5.4
	Heating (UK)	4.25	5.3
	Cooling (UK)	3.95	4.85
SHF (nominal)		0.70	0.67
AIRFLOW (m3/min)	Lo-Mi1-Mi2-Hi	7-8-9-10	8-9-10-11
PIPE SIZE mm(in)	Gas	15.88 (5/8")	15.88 (5/8")
	Liquid	9.52 (3/8")	9.52 (3/8")
NOISE (dBA)	Lo-Mi1-Mi2-Hi	34-36-38-40	36-38-40-42
DIMENSIONS (mm) (grille)	Width	812 (1000)	812 (1000)
	Depth	395 (470)	395 (470)
	Height	230 (30)	230 (30)
WEIGHT (kg)	Unit	14	14
	Panel	3.0	3.0
ELECTRICAL SUPPLY		Fed by Outdoor Unit	Fed by Outdoor Unit
PHASE		Single	Single
FUSE RATING (BS88) – HRC (A)		6	6
INTERCONNECTING CABLE No. CORES		4	4
GRILLE REFERENCE		PMP-40BM	PMP-40BM

### PUH-P - OUTDOOR UNITS

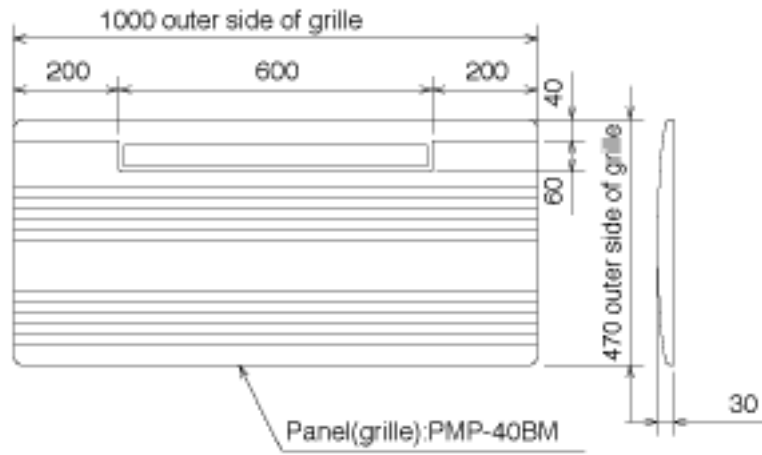
MODEL REFERENCE		PUH-PI.6VGAA	PUH-P2VGAA
NOISE (dBA)	Heating/Cooling	49 / 47	49 / 48
WEIGHT (kg)		55	71
DIMENSIONS (mm)	Width	900	900
	Depth	330 + 20	330 + 20
	Height	650	855
ELECTRICAL SUPPLY		220-240v, 50Hz	220-240v, 50Hz
PHASE		Single	Single
SYSTEM POWER INPUT (KW)	Heating/Cooling (nominal)	1.70 / 1.65	2.42 / 2.35
	Heating/Cooling (UK)	1.51 / 1.40	2.15 / 2.0
STARTING CURRENT (A)		36	62
SYSTEM RUNNING CURRENT (A)	Heating/Cooling	7.88 / 7.65	10.86 / 10.55
FUSE RATING (BS88) – HRC (A)		16	16
MAINS CABLE No. Cores		3	3
MAX PIPE LENGTH (m)		40	40
MAX HEIGHT DIFFERENCE (m)		40	40
CHARGE R407c (kg) - 20m		2.5	2.6

# INDOOR UNIT PMH-PI.6-2BA

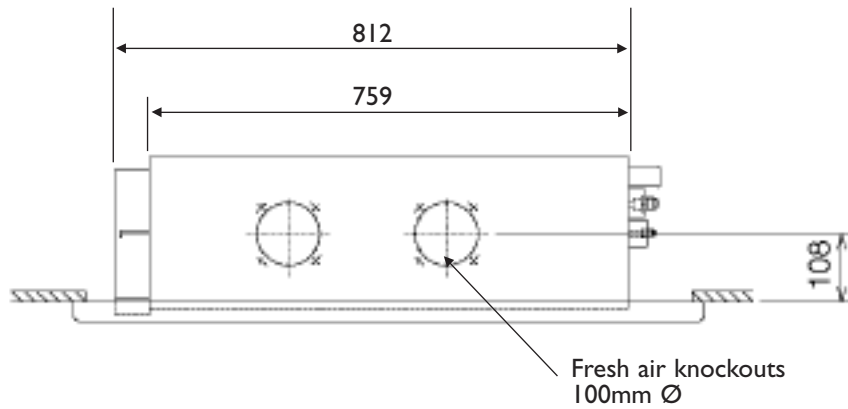
Left Side View >



Lower View >



Rear View >



**This pdf has been downloaded from the website of :**

“Supplying and installing the latest in air conditioning technology”

**° Celsius**  
**air conditioning**

Celsius Air Conditioning Ltd, I Well Street, Heywood, Greater Manchester OL10 INT

 01706 367 500  07000 CELSIUS  01706 367 355  sales@celsiusair.co.uk  www.celsiusair.co.uk

**www.celsiusair.co.uk**