

Air-Conditioners

PEAD-RP·EA / PUHZ-RP·HA PEAD-RP·GA / PU(H)-P·GAA

OPERATION MANUAL

For safe and correct use, please read this operation manual thoroughly before operating the air-conditioner unit.

FOR USER

BEDIENUNGSHANDBUCH

Zum sicheren und einwandfreien Gebrauch der Klimaanlage dieses Bedienungshandbuch vor Inbetriebnahme gründlich durchlesen.

FÜR BENUTZER

MANUEL D'UTILISATION

Pour une utilisation correcte sans risques, veuillez lire le manuel d'utilisation en entier avant de vous servir du climatiseur.

POUR L'UTILISATEUR

BEDIENINGSHANDLEIDING

Voor een veilig en juist gebruik moet u deze bedieningshandleiding grondig doorlezen voordat u de airconditioner gebruikt.

VOOR DE GEBRUIKER

MANUAL DE INSTRUCCIONES

Lea este manual de instrucciones hasta el final antes de poner en marcha la unidad de aire acondicionado para garantizar un uso seguro y correcto.

PARA EL USUARIO

ISTRUZIONI DI FUNZIONAMENTO

Leggere attentamente questi istruzioni di funzionamento prima di avviare l'unità, per un uso corretto e sicuro della stessa.

PER L'UTENTE

ΕΓΧΕΙΡΙΔΙΟ ΟΔΗΓΙΩΝ ΧΡΗΣΕΩΣ

Για ασφάλεια και σωστή χρήση, παρακαλείστε διαβάσετε προσεχτικά αυτό το εγχειρίδιο χρήσεως πριν θέσετε σε λειτουργία τη μονάδα κλιματισμού.

ΓΙΑ ΤΟΝ ΧΡΗΣΤΗ

MANUAL DE OPERAÇÃO

Para segurança e utilização correctas, leia atentamente o manual de operação antes de pôr a funcionar a unidade de ar condicionado.

PARA O UTILIZADOR

DRIFTSMANUAL

Læs venligst denne driftsmanual grundigt før airconditionanlægget betjenes af hensyn til sikker og korrekt brug.

TIL BRUGER

DRIFTSMANUAL

Läs denna driftsmanual noga för säkert och korrekt bruk innan luftkonditioneringen används.

FÖR ANVÄNDAREN

İşletme Elkitabı

Emniyetli ve doğru biçimde nasıl kullanılacağını öğrenmek için lütfen klima cihazını işletmeden önce bu elkitabını dikkatle okuyunuz.

KULLANICI İÇİN

РУКОВОДСТВО ПО ЭКСПЛУАТАЦИИ

Для обеспечения правильного и безопасного использования следует ознакомиться с инструкциями, указанными в данном руководстве по эксплуатации, тщательным образом до того, как приступить к использованию кондиционера.

ДЛЯ ПОЛЬЗОВАТЕЛЯ

English

Deutsch

Français

Nederlands

Español

Italiano

Ελληνικά

Português



Dansk

Svenska

Türkçe

Русский

Contents

1. Safety Precautions	2
2. Operation	3
2.1. Switching the unit on/off	3
2.2. Mode select	4
2.3. Selecting a temperature 	4
2.4. Selecting a fan speed 	4
2.5. Using the timer	4
2.6. Others	5
3. Care and cleaning	6
3.1. Cleaning the filters and the indoor unit	6
4. Troubleshooting	7
5. Specification	8

1. Safety Precautions

- ▶ Before installing the unit, make sure you read all the “Safety precautions”.
- ▶ The “Safety precautions” provide very important points regarding safety. Make sure you follow them.
- ▶ Please report to or take consent from the supply authority before connection to the system.

Symbols used in the text






Warning:

Describes precautions that should be observed to prevent danger of injury or death to the user.

Caution:

Describes precautions that should be observed to prevent damage to the unit.

Symbols used in the illustrations

-  : Indicates an action that must be avoided.
-  : Indicates that important instructions must be followed.
-  : Indicates a part which must be grounded.
-  : Indicates that caution should be taken with rotating parts.
-  : Beware of electric shock.

Warning:

Carefully read the labels affixed to the main unit.

Warning:

- The unit should not be installed by the user. Ask the dealer or an authorized company to install the unit. If the unit is installed improperly, water leakage, electric shock or fire may result.
- Do not stand on, or place any items on the unit.
- Do not splash water over the unit and do not touch the unit with wet hands. An electric shock may result.
- Do not spray combustible gas close to the unit. Fire may result.
- Do not place a gas heater or any other open-flame appliance where it will be exposed to the air discharged from the unit. Incomplete combustion may result.
- Do not remove the front panel or the fan guard from the outdoor unit when it is running.
- When you notice exceptionally abnormal noise or vibration, stop operation, turn off the power switch, and contact your dealer.
- Never insert fingers, sticks etc. into the intakes or outlets.
- If you detect odd smells, stop using the unit, turn off the power switch and consult your dealer. Otherwise, a breakdown, electric shock or fire may result.
- This air conditioner is NOT intended for use by children or infirm persons without supervision.
- Young children should be supervised to ensure that they do not play with the air conditioner.
- If the refrigeration gas blows out or leaks, stop the operation of the air conditioner, thoroughly ventilate the room, and contact your dealer.

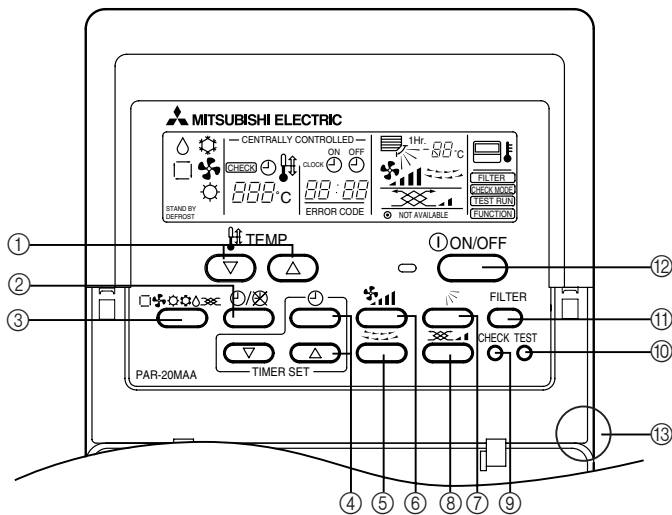
Caution:

- Do not use any sharp object to push the buttons, as this may damage the remote controller.
- Never block or cover the indoor or outdoor unit's intakes or outlets.

Disposing of the unit

When you need to dispose of the unit, consult your dealer.

2. Operation



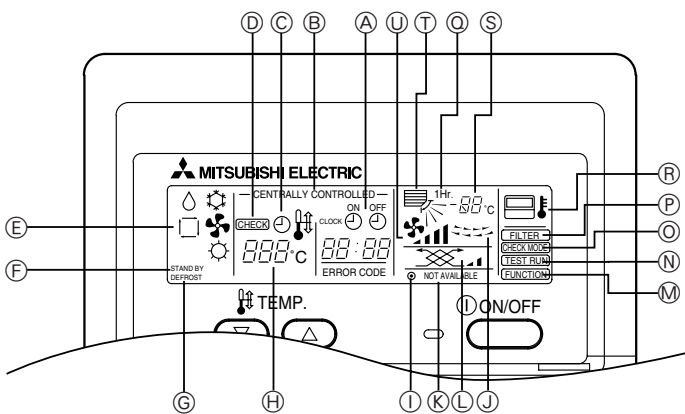
Remote controller-Button

- ① [Room temperature adjustment] Button
- ② [Timer/continuous] Button
- ③ [Selecting operation] Button
- ④ [Time selection] Button
- [Time-setting] Button
- ⑤ [Louver] Button
- ⑥ [Fan speed adjustment] Button
- ⑦ [Up/down airflow direction] Button
- ⑧ [Ventilation] Button
- ⑨ [Checking/built-in] Button
- ⑩ [Test run] Button
- ⑪ [Filter] Button
- ⑫ [ON/OFF] Button
- ⑬ Position of built-in room temperature sensor

- Never expose the remote controller to direct sunlight. Doing so can result in the erroneous measurement of room temperature.
- Never place any obstacle around the lower right-hand section of the remote controller. Doing so can result in the erroneous measurement of room temperature.

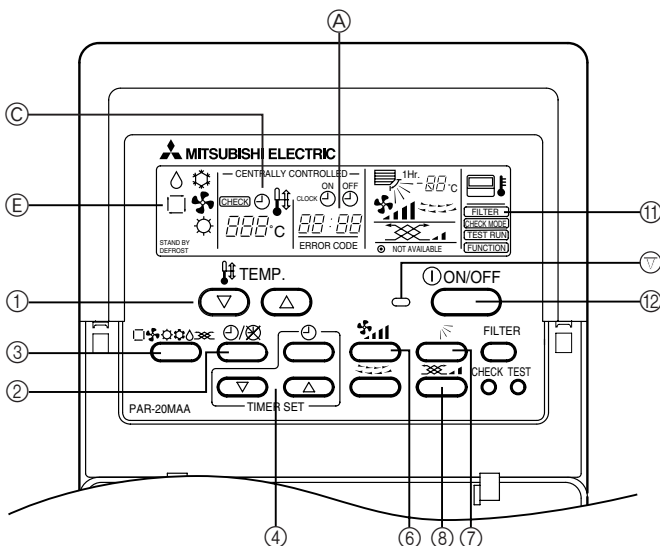
Remote controller-Display

- Ⓐ Current time/Timer
- Ⓑ Centralized control
- Ⓒ Timer ON
- Ⓓ Abnormality occurs
- Ⓔ Operation mode: COOL, DRY, AUTO, FAN, HEAT
- Ⓕ Preparing for Heating mode
- Ⓖ Defrost mode
- Ⓗ Set temperature
- Ⓘ Power ON
- Ⓙ Louver
- Ⓚ Not available function
- Ⓛ Ventilation
- Ⓜ Function setting mode
- Ⓝ Test run mode
- Ⓞ Error check mode
- Ⓟ Filter sign
- Ⓠ Set effective for 1 hr.
- Ⓡ Sensor position
- Ⓢ Room temperature
- Ⓣ Airflow
- Ⓤ Fan speed



Before starting operation

- Start running after the “HO” display has disappeared. The “HO” display briefly appears on the room temperature display (max. 3 minutes) when the power is turned on and after a power failure. This does not indicate any failure of the air conditioner.
- The operation modes of the indoor units' cooling operation, dry operation, and heating operation are different from those of the outdoor units. When the operation is started with cooling/dry (heating) and other indoor units connected to the counterpart outdoor units are already running in the same operation mode, the remote control displays “” or “” mode. However, the operation comes to stop, and you cannot get a desired mode. When this occurs, you will be notified by the “” or “” display that flashes in the liquid crystal display of the remote controller. Set to the operation mode of other indoor unit by the operation switch button.
The above does not apply to the models that simultaneously run both the cooling operation and heating operation.
- The outdoor units stop when all the indoor units connected to the counterpart outdoor units stop.
- During heating operation, even if the indoor unit is set to operation while the outdoor unit is in defrosting operation, operation starts after the defrosting operation of the outdoor unit has ended.



2.1. Switching the unit on/off

Start an operation

1. Press the ⑫ [ON/OFF] button

Operation lamp lights up and operation starts.

Stop an operation

1. Press the ⑫ [ON/OFF] button again

Operation lamp goes off and operation stops.

2. Operation

- Once the buttons have been set, pressing of the [ON/OFF] button only can repeat the same operation thereafter.
- During operation, the operation lamp above the [ON/OFF] button lights up.

⚠ Caution:

Even if the operation button is pressed immediately after the operation is stopped, operation is not restarted for about 3 minutes. This function protects the machine. It automatically starts operation after the lapse of approximately 3 minutes.

2.2. Mode select

When selecting operation

1. Press the ③ [selecting operation] button

Consecutive press of the selecting operation button switches the operation over to (E) “”, “”, “”, (“”), and (“”). For the contents of operation, check the display.

For cooling

Press the ③ [selecting operation] button and bring up the “” display.

For dry

Press the ③ [selecting operation] button and bring up the “” display.

- The indoor fan turns to the low-speed operation, disabling the change of fan speed.
- Dry operation cannot be carried out at a room temperature of less than 18 °C.

For fan

Press the ③ [selecting operation] button and bring up the “” display.

- The fan operation functions to circulate the air in the room.
- The temperature of the room cannot be set by fan operation.

⚠ Caution:

Never expose your body directly to cool air for a long time. Excessive exposure to cool air is bad for your health, and should therefore be avoided.

Dry operation

The dry is a microcomputer-controlled dehumidifying operation which controls excessive air-cooling according to the room temperature of your choice. (Not usable for heating.)

1. Until reaching room temperature of your choice

The compressor and indoor fan function are linked together according to the change of the room temperature and automatically repeat ON/OFF.

2. When reaching room temperature of your choice

Both the compressor and indoor fan stop.

When stop continues for 10 minutes, the compressor and indoor fan are operated for 3 minutes to keep the humidity low.

For heating

Press the ③ [selecting operation] button to bring up the “” display.

Regarding displays during heating operation “DEFROST”

Displayed only during the defrosting operation.

“STAND BY”

Displayed from the start of heating operation until the moment warm air blows out.

⚠ Caution:

- When the air conditioner is used together with burners, thoroughly ventilate the area. Insufficient ventilation can result in accidents due to oxygen deficiency.
- Never place a burner at a place where it is exposed to the airflow from the air conditioner.

Doing so can result in imperfect combustion of the burner.

The microcomputer functions in the following cases:

- Air does not blow out when heating starts.**
 - To prevent any cool air from escaping, the indoor fan is gradually switched in sequence from faint airflow/weak airflow/set airflow according to the temperature rise of the blown out air. Wait a moment until the airflow comes out naturally.
- The fan is not moving at the set speed.**
 - In some models, the system switches over to faint airflow when the temperature of the room reaches the set temperature. In other cases,

it stops to prevent any cool air from escaping during the defrosting operation.

• Air flows out even if operation is stopped.

- Approximately 1 minute after the stop of operation, the indoor fan sometimes rotates to eliminate extra heat generated by the electric heater, etc. The fan speed comes to low or high.

For ventilation

Press the ③ [selecting operation] button to bring up the “” display.

- Used to provide ventilation without using the heat or air conditioning functions of the unit.
- The display will not appear when the ventilation equipment is not attached.

For automatic

Press the ③ [selecting operation] button to bring up the “” display.

NOTE:

The heating display and the automatic display does not appear on models that operate exclusively as cooling only air-conditioner.

2.3. Selecting a temperature TEMP.

To change room temperature

Press the ① [room temperature adjustment] button and set the room temperature of your choice.

Pressing (▲) or (▼) once changes the setting by 1 °C.

If the pressing is continued, the setting continues to change by 1 °C.

- Indoor temperature can be set within the following range.

Cooling/dry: 19 - 30 °C

Heating: 17 - 28 °C

- It is impossible to set the room temperature by the air-blow operation.

* The range of room temperature display is 8 - 39 °C. Outside this range, the display flashes either 8 - 39 °C to inform you if the room temperature is lower or higher than the displayed temperature.

2.4. Selecting a fan speed

To change fan speed

Every time you press the ⑥ [fan speed] button once, it switches from the low-speed to high-speed settings successively.

In the electronic dry operation, the indoor fan automatically turns to low-speed operation. Switching the fan speed is impossible. (Only the display on the remote controller changes.)

* Every time the fan speed adjustment button is pressed once, the fan speed is changed.

Display: (Low) → (High)

2.5. Using the timer

1) Set the current time

- Set the current time after turning ON the power of the air conditioner or after restoration from a power failure.
- It can be set regardless of the operation of the indoor unit.
- During the time operation, the time-setting button becomes void, disabling time setting.

1. Press the ④ [time selection] button and bring up the ④ “current time” display

- Every time it is pressed, the display changes.

CLOCK (“current time”) → (“timer start”) → (“timer end”) → (no display)

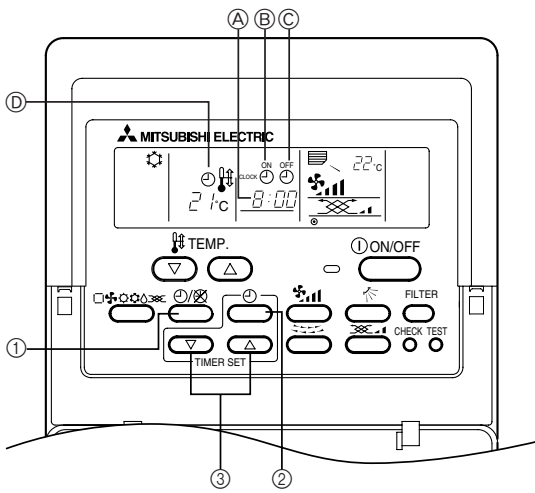
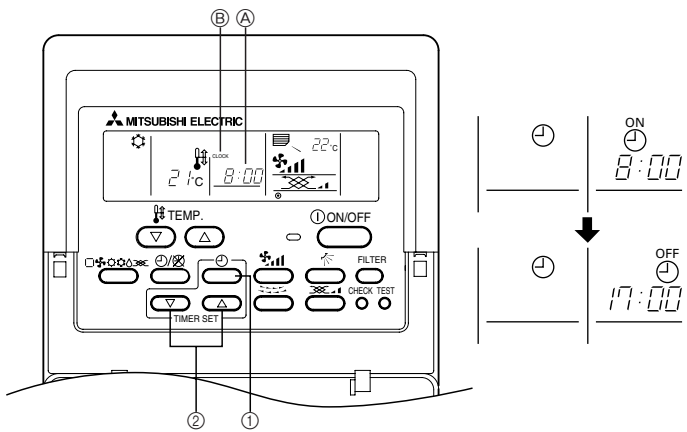
⚠ Caution:

When the current time is not yet set, the “CLOCK (current time)” display flashes, disabling the setting of timer operation.

2. Set the current time by pressing the ④ (▲) or (▼) button

- The time cannot be set while the ③ “timer on” is displayed.
- While the ④ “CLOCK” time is displayed, press the time setting ④ (▲)/(▼) buttons and set the time.

2. Operation



- The setting advances one minute every time the ④ [time selection] button is pressed once, and retrogresses one minute every time the ④ [time selection] button is pressed once.
- When respective ④ [time selection] buttons are pressed continuously, the time display goes fast forward. It advances in the order of 1 minute unit - 10 minute unit - one hour unit.
- About 10 seconds after the button operation has been completed, the ③ "current time" and ① "CLOCK" displays disappear.

⚠ Caution:

- Remote controller is equipped with a simplified clock with a precision of about + or - one minute per month.
- The time must be re-adjusted (reset) every time the air conditioner is subjected to a power stop of the air conditioner or a power failure.

2) Timer setting

- If the timer is set, the unit starts (stops) at the set time, and the time mode is terminated.
- When you wish to confirm the starting and ending time, press the ④ [time selection] button while ③ "⌚" is displayed.

Function of timer

On-timer

Set the on-timer for the time the working day begins in your company. When the set start time arrives, the air conditioner starts operation.

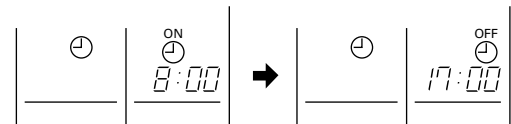
Off-timer

Use the off-timer as a reminder to turn off the air conditioner. When the set end-work time arrives, the air conditioner stops operation.

There are three methods for using the timer.

- ON/OFF Timer: When setting both starting and ending time
- On-timer: When only setting the starting time (Ending time is set to "--:--")
- Off-timer: When only setting the ending time (Starting time is set to "--:--")

Display example of timer setting



The example shows a timer set for operation start at 8:00 and end at 17:00.

- Press the ② [timer/continuous] button and bring up the ③ "⌚" display
- Press the ④ [time selection] button and bring up the ① "Timer start time" display
- Press the ④ [time selection] button of the ④ [time selection] and set the starting time
When using it as an off-timer, set the starting time to "--:--". The "--:--" is displayed next to 23:50.
- Press the ④ [time selection] button and bring up the ① "Timer end time" display
- Press the ④ [time selection] button of the [time switch] and set the ending time
When using it as an on-timer, set the ending time to "--:--". The "--:--" is displayed next to 23:50.
- Press the ② [timer/continuous] button and bring up the ③ "⌚" display
Bringing up the ③ "⌚" display completes the setting.

Every time the ④ [time selection] button of the ④ [timer selection] is pressed once, it advances (or retrogresses) by 10 minutes.

If the button is pressed continuously, it advances (or retrogresses) continuously.

First set the hour digit and then set the minute digit.

When the ON/OFF timer mode is set, you can run (on-timer) or stop (off-timer) operation by pressing the ⑫ [ON/OFF] button even when there is remaining time.

Release

Press the ② [timer/continuous] button and the ③ "⌚" display disappears.

3) Ventilator-Airconditioner combined operation

- If the unit is off, press the ⑫ ON/OFF button to turn it on.

○ The ON indicator should light up.

- The ventilation equipment will operate automatically when connected to the unit.

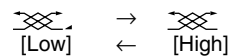
- Press the ⑧ [Ventilator] button.

- You can set the ventilation speed at LOW or HIGH.

4) Changing the ventilation setting

Press the ⑧ [Ventilator] button.

- The setting changes each time the button is pushed.



2.6. Others

— CENTRALLY CONTROLLED — : Displayed when control is executed by a separately sold centralized control unit, etc.

STAND BY DEFROST

: Displayed from the start of heating operation until the moment warm air blows out.

CHECK

: This displays indication when some abnormality occurs in the unit.

NOT AVAILABLE

: When a button is pressed for any function which the indoor unit cannot perform, this display flashes concurrently with the display of that function.

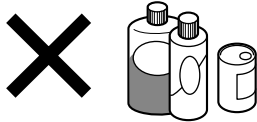
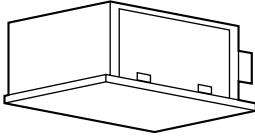
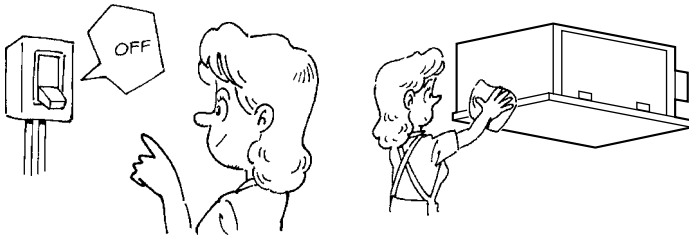
⌚

: In the system in which the [Sensor] display is indicated as the "remote controller", room temperature measurement is performed by the room temperature sensor built into the remote controller. Therefore, pay attention to the following:

FILTER

: Displayed when it is time to clean the filter. Press the ⑪ [Filter] button twice, then the display will disappear.

3. Care and cleaning



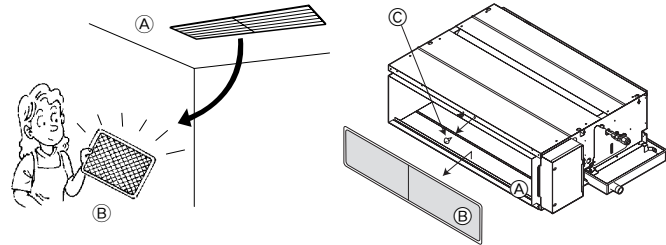
3.1. Cleaning the filters and the indoor unit

Care and cleaning

- Be sure to turn the ON/OFF switch to the OFF position before proceeding with care and handling of the unit.

Cleaning the indoor unit

- Wipe the unit with a dry, soft cloth.
- Do not attempt to pull the vertical air vanes forcibly by hands to prevent possible damage or malfunction.
- Use a household detergent (for tableware cleaning or cloth washing) to remove fingerprint and oil stains.
- Do not use gasoline, benzene, thinner, and polishing powder which could damage the unit.



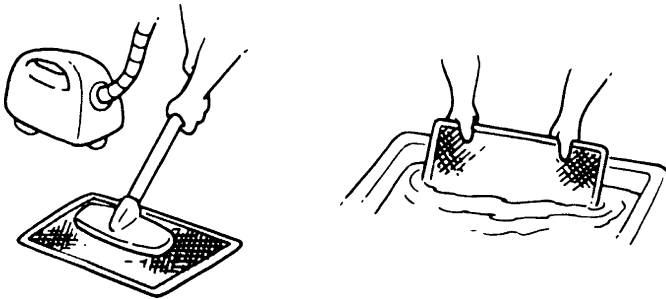
Removing the air filter

Be sure to check on the location and the way of setting with the contractor when the unit performs a trial run.

- Ⓐ Air intake Ⓑ Filter Ⓒ Screw (Only RP-EA)

Cleaning filters

- Air filter cleaning method varies according to filter material. Read instruction concerning filter material and cleaning method carefully. General method for cleaning filters is shown below.
- Tap lightly or clean with vacuum cleaner. Rinse in water or neutral detergent dissolved in lukewarm water if filters are especially dirty. Be sure to thoroughly rinse off any detergent used. Dry before reinstalling into air conditioner.



⚠ Caution:

- Do not dry filters in direct sunlight or by other heat sources. Heat may disfigure filters.
- Washing in hot water (over 50 °C) may disfigure filters.

4. Troubleshooting

Before you call out a repair man, check the following table to see whether there is a simple solution to your problem.

Problem	Solution	Problem	Solution
Unit does not cool or heat very well.	Clean the filter.	The start and stop functions are not available just after restarting the unit.	Wait about three minutes (operation has stopped to prevent damage to the air conditioner).
The unit stops operating before arriving at the set temperature in the heating mode.	Frost forms when the outdoor temperature is low and humidity is high. Wait for about 10 minutes for the frost to melt.	"H0" is displayed in the remote controller.	An automatic startup test is being performed (will last for about three minutes).
A white mist is expelled from the indoor unit.	This may occur just after the unit is turned on when a high level of humidity is present in the room.	An error code is displayed in the remote controller.	A self-diagnostic function is being performed to preserve the air conditioner.
The indicators of the remote controller do not light up when operated.	Turn on the power switch. "☉" will be displayed.	The operating display of the wireless remote controller's receiver is flashing.	* Do not attempt to make repairs yourself. Turn the main switch off and contact the dealer from whom you bought the air conditioner. Provide him or her with the name of the unit and the information displayed in the remote controller.
CENTRALLY CONTROLLED is displayed in the remote controller.	The start and stop functions of the remote controller are not available when the CENTRALLY CONTROLLED message is lit.		

NOTE: After a power cut, the unit will not restart automatically. You will have to restart it by pressing the **POWER - ON/OFF** button on the remote controller.

If none of the above apply, turn the main switch off and contact the dealer from whom you bought the air-conditioner, telling him the model name and the nature of the problem. Do not try to fix the unit yourself.

In any of the following cases, turn off the main power switch and contact your local dealer for service:

- The operation lamp (on the main unit) flashes.
- The switches do not work properly.
- The circuit breaker trips frequently (or the fuse blows frequently).
- Water has accidentally been splashed into the unit.
- Water leaks from the unit.
- Something is accidentally dropped into the air-conditioner.
- An unusual noise is heard during operation.

Operating range

		Indoor air intake temperature	Outdoor air intake temperature
Cooling	Maximum	35 °C DB, 22.5 °C WB	46 °C DB
	Minimum	19 °C DB, 15 °C WB	-5 °C DB
Heating	Maximum	28 °C DB	21 °C DB, 15 °C WB
	Minimum	17 °C DB	-11 °C DB, -12 °C WB

The following do not indicate any malfunction:

Odours: smells such as tobacco or cosmetic odours may persist after they have been sucked into the unit.

Sound of liquid flowing inside indoor unit: this can occur during or after operation and is simply the sound of refrigerant being circulated inside the unit.

Ticking sound coming from indoor unit: this can occur when cooling or heating has just begun or has just stopped. It is caused by the indoor unit shrinking or expanding slightly due to the change in temperature.

The message "CENTRALLY CONTROLLED" appearing on the LCD panel: from time to time, this message may come up on the LCD panel. This does not indicate any malfunction.

5. Specification

■ PEAD-RP-EA/GA + PU(H)-P-GAA

Indoor model	RP1.6EA	RP2EA	RP2.5EA	RP2.5GA	RP3EA	RP3GA	RP4EA	RP4GA	RP5EA	RP6EA
Capacity (Cooling/Heating) <kW>	*1 4.45/4.85	5.60/6.30	6.60/7.15	6.60/7.15	7.60/9.05		9.60/10.30		12.20/14.00	14.00/16.60
Total Input (Cooling/Heating) <kW>	*1 1.71/1.73	2.53/2.20	2.65/2.36	2.74/2.50	3.35/3.18		3.83/4.00	3.68/3.67	4.87/4.74	5.81/5.90
Indoor power source (<V>/<Hz>)	~N 220-230-240/50									
Indoor dimension (Height) <mm>	295	295	295	275	325	275	325	275	325	
Indoor dimension (Width) <mm>	935	935	1175	1171	1175	1171	1415	1411	1415	1715
Indoor dimension (Depth) <mm>	700	700	700	740						
Indoor fan airflow rate (L-H) <m ³ /min>	11-14	13.5-17	17-21	16.5-21	20-25		27-34	26.5-33	33.5-42	36.5-46
Indoor noise level (L-H) <dB>	*2 34-38	36-40	37-41	35-40	37-41		41-46	42-45	44-50	46-51
Indoor net weight <kg>	33	35	42	42	44	42	62	60	65	70

■ PEAD-RP-EA/GA + PUHZ-RP-VHA

Indoor model	RP1.6EA	RP2EA	RP2.5EA	RP2.5GA	RP3EA	RP3GA	RP4EA	RP4GA	RP5EA	RP6EA
Capacity (Cooling/Heating) <kW>	*1 3.60/4.10	4.90/6.00	6.00/7.00	6.00/7.00	7.10/8.00		10.00/11.20		12.50/14.00	14.00/16.00
Total Input (Cooling/Heating) <kW>	*1 1.12/1.26	1.52/1.65	1.86/1.90	1.68/1.77	2.15/2.34		3.08/3.48		3.69/4.11	4.91/4.76
Indoor power source (<V>/<Hz>)	~N 220-230-240/50									
Indoor dimension (Height) <mm>	295	295	295	275	325	275	325	275	325	
Indoor dimension (Width) <mm>	935	935	1175	1171	1175	1171	1415	1411	1415	1715
Indoor dimension (Depth) <mm>	700	700	700	740						
Indoor fan airflow rate (L-H) <m ³ /min>	11-14	13.5-17	17-21	16.5-21	20-25		27-34	26.5-33	33.5-41	36.5-46
Indoor noise level (L-H) <dB>	*2 34-38	36-40	37-41	35-40	37-41		41-46	42-45	44-50	46-51
Indoor net weight <kg>	33	35	42	42	44	42	62	60	65	70

■ PU(H)-P-GAA

Outdoor model	P1.6V P1.6Y	P2V P2Y	P2.5V P2.5Y	P3V P3Y	P4V P4Y	P5Y	P6Y
Outdoor power source (<V>/<Hz>)	V: ~N 220-230-240/50 Y: 3N~380-400-415/50						
Outdoor dimension (Height) <mm>	650	855	855	1260		1050	
Outdoor dimension (Width) <mm>	900			1050			
Outdoor dimension (Depth) <mm>	330+20						
Outdoor fan airflow rate <m ³ /min>	45	55	50		85	95	100
Outdoor net weight <kg>	54	74	79		97	112	113

■ PUHZ-RP-VHA

Outdoor model	RP1.6	RP2	RP2.5	RP3	RP4	RP5	RP6	
Outdoor power source (<V>/<Hz>)	V: ~N 220-230-240/50							
Outdoor dimension (Height) <mm>	600	943		1350				
Outdoor dimension (Width) <mm>	800	950						
Outdoor dimension (Depth) <mm>	300+15	330+30						
Outdoor fan airflow rate <m ³ /min>	35	55		100				
Outdoor net weight <kg>	45	75		121				

*1. Cooling: Indoor 27 °CDB/19 °CWB, Outdoor 35 °CDB

Heating: Indoor 20 °CDB, Outdoor 7 °CDB/6 °CWB

*2. GA model: 50 Pa, 230 V

RP1.6 ~ 2.5EA model: 30 Pa, 230 V

RP3 ~ 6EA model: 70 Pa, 230 V

This product is designed and intended for use in the residential,
commercial and light-industrial environment.

The product at hand is based on the following EU regulations:

- Low Voltage Directive 73/23/ EEC
- Electromagnetic Compatibility Directive 89/336/ EEC

Please be sure to put the contact address/telephone number on
this manual before handing it to the customer.

This pdf has been downloaded from the website of :

“Supplying and installing the latest in air conditioning technology”

° Celsius
air conditioning

Celsius Air Conditioning Ltd, I Well Street, Heywood, Greater Manchester OL10 INT

 01706 367 500  07000 CELSIUS  01706 367 355  sales@celsiusair.co.uk  www.celsiusair.co.uk

www.celsiusair.co.uk